

FAST

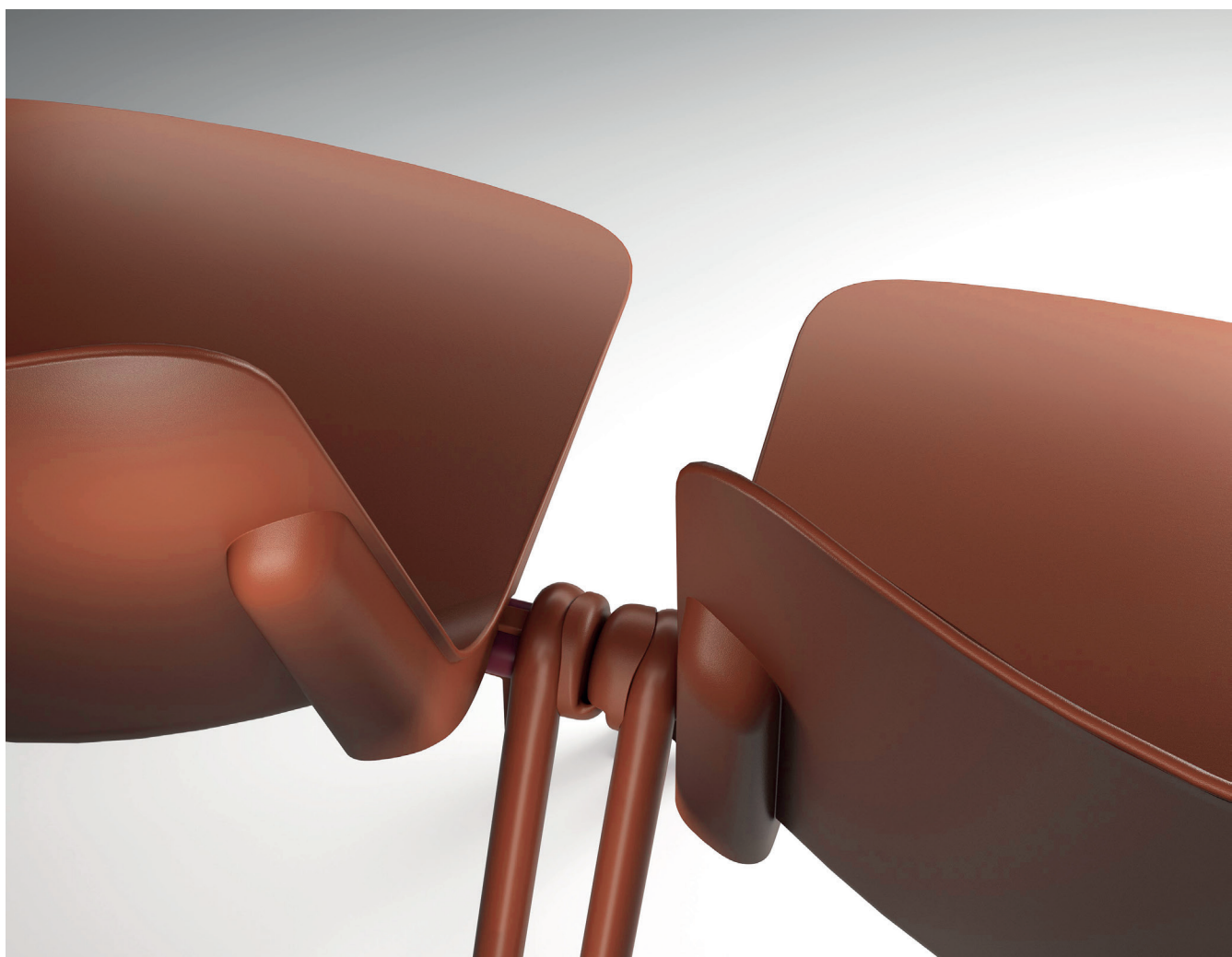
by

bürotime

technical document



FAST



Fast, emerged from the idea of achieving the best result with the simplest form, seamlessly blending the elegance of simplicity with comfort.

The product, characterized by simplified, minimal lines, is designed with a unified color scheme across all its components (monobloc body, armrest, and base) to ensure color coherence. With options such as a mobile work chair, a chrome sled-based chair, and a bar stool, it offers a wide range of uses. From education, meetings, office, café-restaurant, social spaces to home office work areas, Fast is adaptable to various purposes and provides ease of storage with its stacking feature.



# product family \_\_\_\_\_

work chair



FAST SWIVEL CHAIR WITH ARM / CHROMED BASE



FAST SWIVEL CHAIR / CHROMED BASE

chair



FAST CHAIR WITH ARM / PAINTED BASE



FAST CHAIR / PAINTED BASE



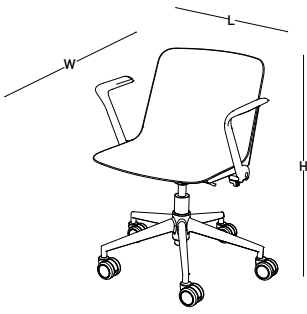
FAST CHAIR / CHROMED SLED BASE



FAST BAR STOOL / CHROMED BASE

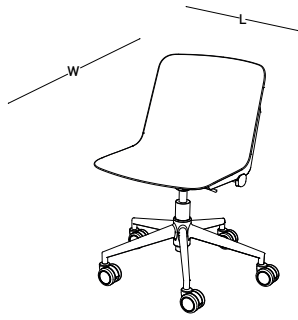
# size chart

---

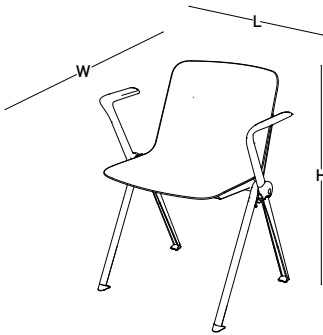


W: 65  
L: 65  
H: 89

FAST SWIVEL CHAIR WITH ARM / CHROMED BASE

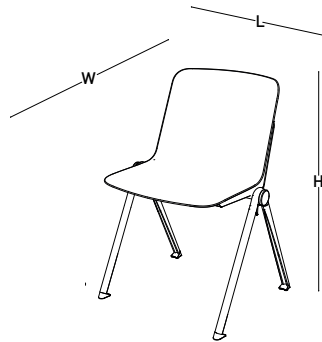


FAST SWIVEL CHAIR / CHROMED BASE



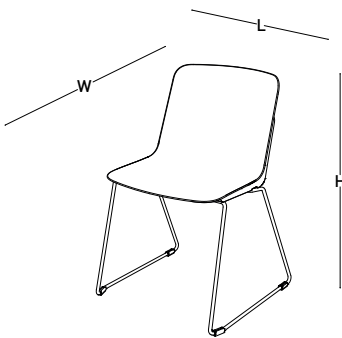
W: 53  
L: 67  
H: 78

FAST CHAIR WITH ARM / PAINTED BASE



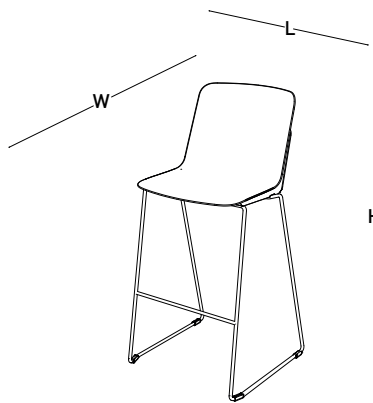
W: 53  
L: 55  
H: 78

FAST CHAIR / PAINTED BASE



W: 53  
L: 54  
H: 78

FAST CHAIR / CHROMED SLED BASE



W: 55  
L: 54  
H: 106

FAST BAR STOOL / CHROMED BASE

## color options \_\_\_\_\_



white



anthracite



brick



black